

PYRONICS



■ PYR-FA-CHA-XMCP-XA MANUAL CALL POINT

The PYR-FA-CHA-XMCP-XA is a manual push button call point with an internal microprocessor supporting two-wire advanced communication and electronic coding. The call point communicates with the fire alarm control panel in real-time the device status as well as receives and executes control commands from the fire alarm control panel.

KEY FEATURES

- Modern Design and Feel
- Single Action or Double Action
- Electronic Addressing via Handheld Programmer
- Indoor or Outdoor
- Polarity Insensitive for Ease of Installation and Maintenance
- Front LED Indicator for Clear Viewing
- Special Tool Reset
- 3 Year Warranty



SPECIFICATIONS

GENERAL

Technology	Microprocessor Based
Push Button	Resettable (No Breaking Parts)
Addressing	Software Addressing
Wiring	2 Wire (Polarity Insensitive)
LED	Front LED

PERFORMANCE

Type	Single / Double Action
Mechanism	Single Action: Push Button Double Action: Lift Cover then Push Button
Mounting	Surface / Semi-flush
Reset	Special Tool
EMI Protection	Yes

ELECTRICAL

Operating Voltage	24 V (Pulse Modulation)
Standby Current	300 μ A
Alarm Current	2 mA

MECHANICAL

Material	ABS High Impact Durable Engineered Polymer
Dimensions	90 mm x 90 mm x 46 mm (Height x Width x Depth)
Weight	95 gm

ENVIRONMENTAL

Application	Indoor / Outdoor with Back Box
Ingress Protection	IP43 for Indoor MCPs IP66 for Outdoor MCPs
Operating Temperature	-10 °C to +55 °C
Storage Temperature	-20 °C to +60 °C
Humidity	0 to 95% (Relative Humidity)

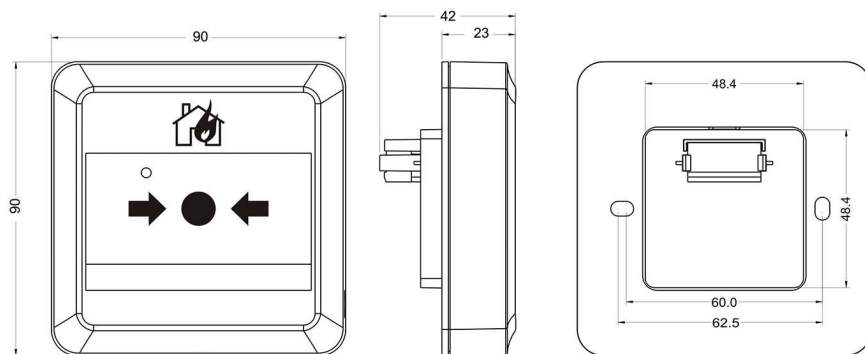
REGULATORY

Certification	LPCB according to EN54-11
Declaration	CE

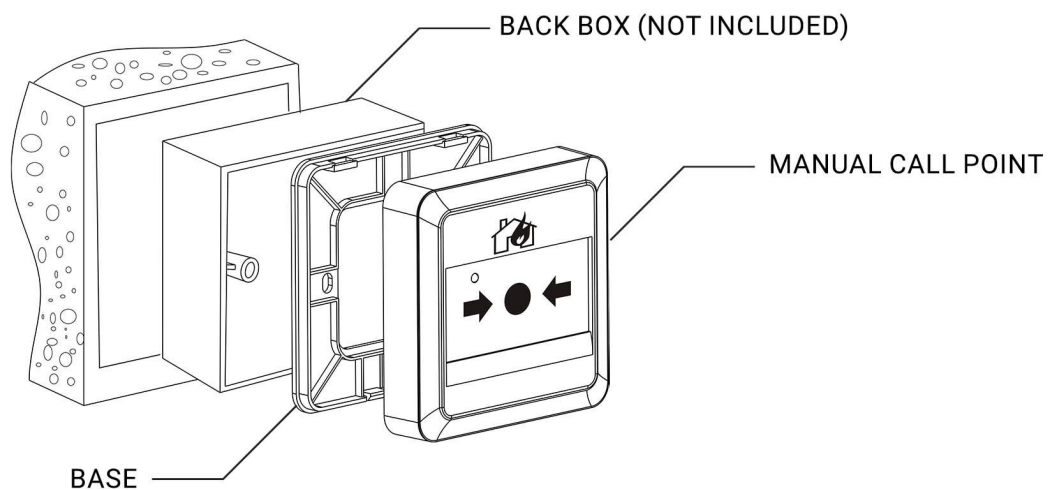




DIMENSIONS



MOUNTING



ORDERING INFORMATION

Model	Description
PYR-FA-CHA-MCP-SA	INDOOR MANUAL CALL POINT, SINGLE ACTION
PYR-FA-CHA-MCP-DA	INDOOR MANUAL CALL POINT, DOUBLE ACTION
PYR-FA-CHA-OMCP-SA	OUTDOOR MANUAL CALL POINT, SINGLE ACTION
PYR-FA-CHA-OMCP-DA	OUTDOOR MANUAL CALL POINT, DOUBLE ACTION

pyronics

Adkinns | 5063 Commercial Circle,
HQ | Concord, CA 94520
United States
Email | info@pyronics.us
Website | www.Pyronics.us

Pyronics warrants all its products against any and all manufacturing defects from the date of product delivery from the factory and/or distribution center. Pyronics's Challenger series has a warranty of 3 years

PYR-FA-CHA-XMCP-XA – Datasheet V.001

pyronics

©2022, Pyronics, all rights reserved . We reserve the right to change the design and specifications without prior notice. Pyronics is a life safety and property protection systems manufacturer that is fully owned by Adkinns Inc.